



**When  
Quality  
Matters**

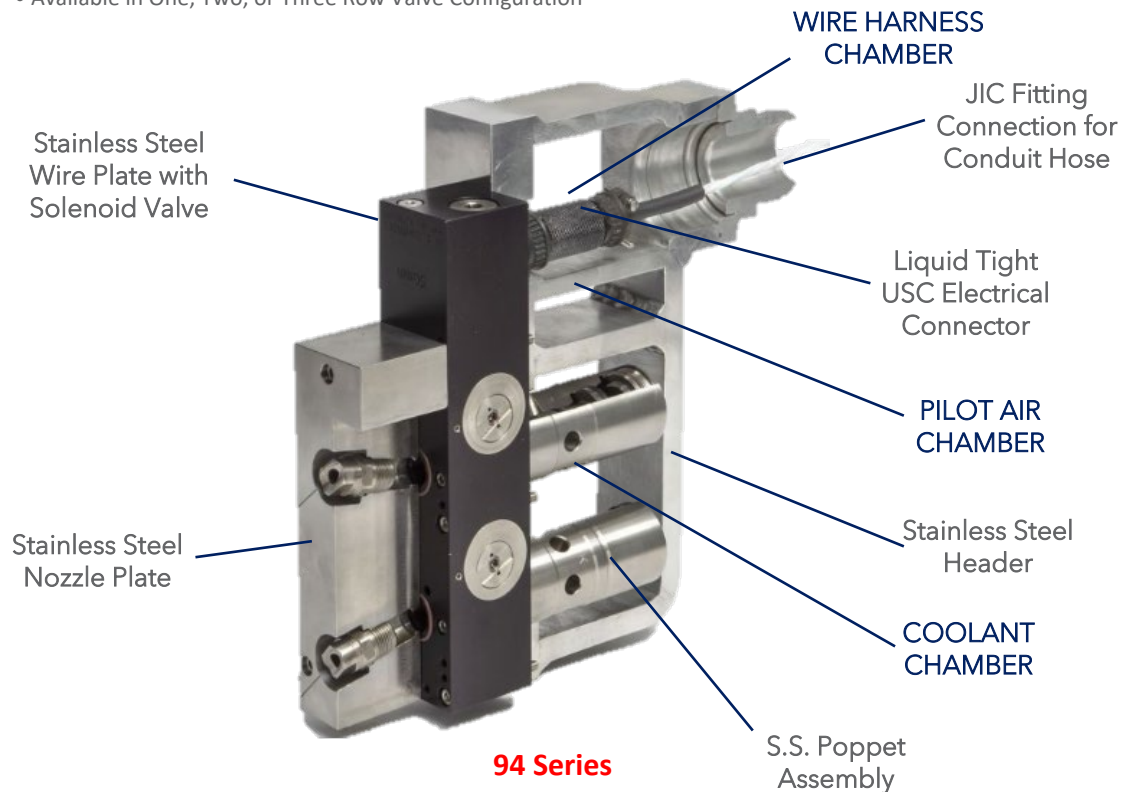
# World Leading Water-Soluble Roll Cooling Spray Systems



# US Controls Precision Control – Superior Flatness

## Water-Soluble Based Spray Systems

- Valve Design is Normally Open
- Viton Seat with Metal-to-Metal Seat Backup – *No Unreliable Diaphragms*
- One Pilot Air Inlet for an Entire Header – *No Tubing Bundles to Deal With*
- Interacts with all Flatness Control Platforms
- Available in One, Two, or Three Row Valve Configuration



## US Controls Advantages

- The World's Most Durable Valve Lines for Over 30 Years!
- Two Year Warranty on All Spray Systems and Upgrades
- Modular Design – Access to All Components Without Ever Removing the Header, *Including Electrical Connections*
- Compatible With All Shape Systems or Stand-Alone Direct Controls
- Selective Digital On/Off Controls or Pulse Up to Five Times Per Second
- All Fasteners Retained – Never Fall into the Mill
- Computerized Spray Pattern and Layout Analysis Provided with Every Project
- USC Exclusive: Injection System is Offered to Self-Clean the Pilot Solenoid Valve for Continued Efficiency
- USC Spray Systems are Integral in Working with AFC Systems, Resulting in Better Shape

## Best in Safety Features

- Valve Function is Normally Open
- In Case of Mill Fire, Valve Stays Open to Flood the Mill when Power is Lost
- Quickly Change Out Valves Inside Mill Housing  
Eliminating Long Periods of Time Within the Mill

## US Controls Influence

- Over 300 Mill Installations
- Installations in Over 20 Countries
- Over 40 Years in Business

# USC Water-Soluble Series Valves

Get the **Highest Quality** Design

Together with **Lower Maintenance**

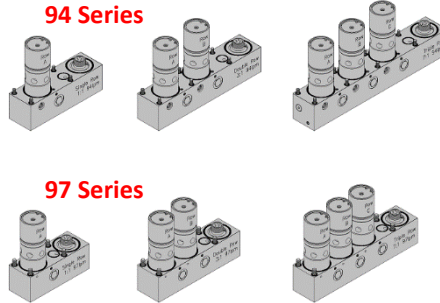
Achieving **Better Product** Results

## US Controls

8511 Foxwood Ct.  
Youngstown, OH  
44514

### Available Water Soluble Series Spray Valves

- 94 Series Valves – 50mm minimum zone spacing with 25mm Nozzle Spacing with Two or Three Row Configuration
- 97 Series Valves – 50mm minimum zone spacing with 25mm Nozzle Spacing with Two or Three Row Configuration
- One, Two, or Three Valves Per Zone



**Proudly  
Made in  
America**

### Water Soluble Series Spray Valve Design Benefits

VOLTAGE	24.0 VDC + 5% - 5%
CURRENT (To Close)	0.35 AMPERES MAXIMUM
* CURRENT (To Hold Closed)	* 0.08 AMPERES MAXIMUM
ELECTRICAL RATINGS	CONTINUOUS DUTY OR PULSING
PILOT AIR REQUIRED AT HEADER	MINIMUM 60% OF COOLANT PRESSURE
PILOT AIR VOLUME REQUIRED	0.0002 CUBIC FEET PILOT AIR PER CYCLE CLOSED
SEAL MATERIALS	MILITARY SPECIFICATION VITON
VIBRATION – SHOCK	PLUS/MINUS 10 G'S

\* US Controls unique current limiting feature allows amperage to be cut by over 75% automatically after the valve opens. This minimizes energy usage and heat generation, further prolonging the life of the valve!

## Contacts

**Bridget Darby**  
Sales Director

PH: 440 567 9143

Email:

[BDarby@unitedstatescontrols.com](mailto:BDarby@unitedstatescontrols.com)

**Lisa Quinn**

Commercial Manager

PH: 330 758 1147 ex 104

Email:

[LQuinn@unitedstatescontrols.com](mailto:LQuinn@unitedstatescontrols.com)

**Rod Christensen**

Operations Manager

PH: 330 758 1147 ex 102

Email:

[RChristensen@unitedstatescontrols.com](mailto:RChristensen@unitedstatescontrols.com)



**Have a question?  
We're here to help!**

### Water Soluble Series

USC Spray Valve Flow Chart

