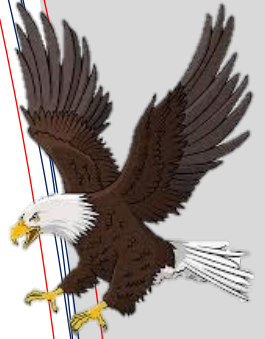


**World's Most
Reliable
Water-Soluble
Valve Series is**

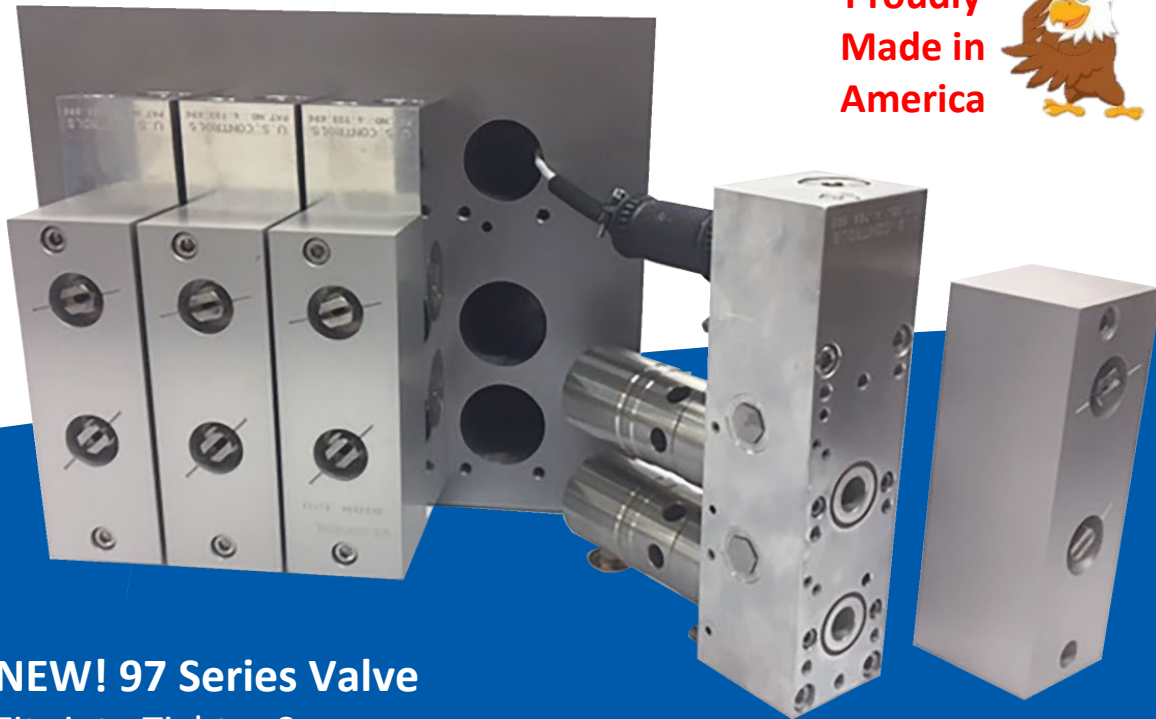
NOW

25%

SMALLER



**Proudly
Made in
America**



NEW! 97 Series Valve
Fits into Tighter Spaces

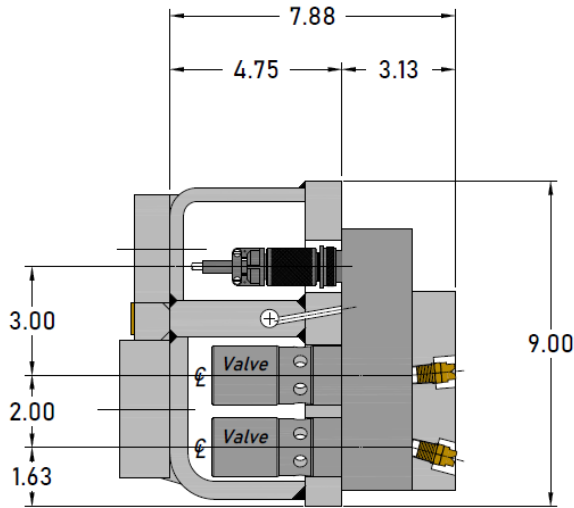
- Maintenance - More Room to Work
- Engineering - More Room to Design into Tight-fitting Areas
- Same Moving Parts as our World-Renowned 94 Series Valve
- Common Replacement Parts Between the Two Series

The 97 Valve Series is still the same maintenance-friendly valve design for quick troubleshooting and replacement

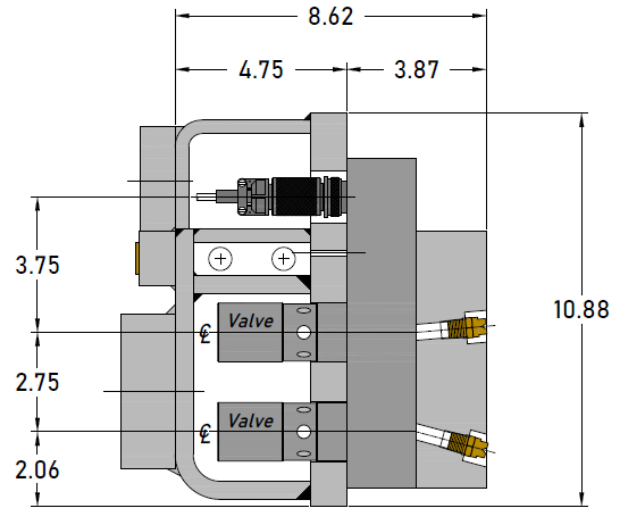
**US
Controls**

97 Series to 94 Series Valve Comparison

2 Row (3:1) 97 Series Header



2 Row (3:1) 94 Series Header



NEW!! – 97 Series Valve Specifications

Coolant Pressure Range	2.8 - 11.0 Bar (40 – 160psi)
Temperature Range	4° - Plus 82° C (40° - Plus 180° F)
Voltage	24.0 VDC + 5% - 5%
Current (To Open)	0.35 Amps Max.
Current (To Hold Open)	0.08 Amps Max.
Response Time in Milliseconds	30 Open - 30 Close
Electrical Ratings	Continuous Duty or Pulsing
Fluids	Mineral and Water-Soluble Oils
Viscosity	1 SUS to 150 SUS
Seal Materials	Military Specification Viton
Internal Parts	Hardened Stainless Steel
External Parts	Stainless Steel
Pilot Air Required at Header	Min. 60% of Coolant Pressure
Max. Pilot Air Pressure	8.28 Bar (120psi)
Pilot Air Volume Required	.0002 Cubic Feet Pilot Air \ Cycle Closed
Condition of Pilot Air	40 Micron Filtered and Lubricated
Vibration - Shock	+/- 10 G'S

Comparison of Original 94 Series Valve with the Newly Designed USC 97 Series Valve

- Valve and header installation envelope are approximately 25% smaller
- Larger fasteners for easier valve installation during mill outages
- Many consistent replacement parts typical between the two designs
- Less room needed for designing 97 series systems into tight spaces
- The 97 valve series has the same US Controls performance and reliability

**When
Quality
Matters**



US Controls

8511 Foxwood Ct.
 Youngstown, OH 44514

Contacts

Bridget Darby – Sales Director
 PH: 440 567 9143
 Email: BDarby@unitedstatescontrols.com

Lisa Quinn – Commercial Manager
 PH: 330 758 1147 ext. 104
 Email: LQuinn@unitedstatescontrols.com

